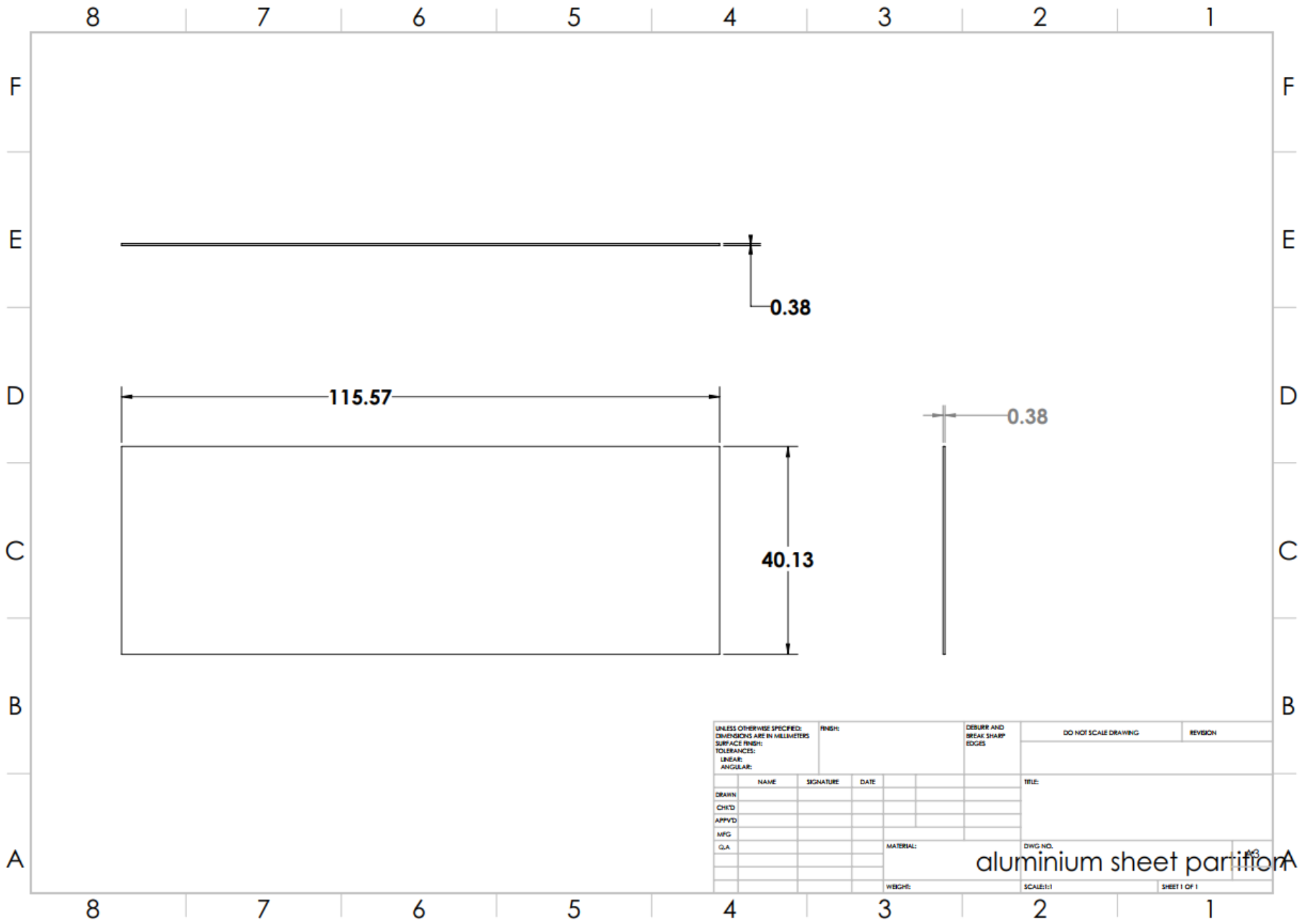
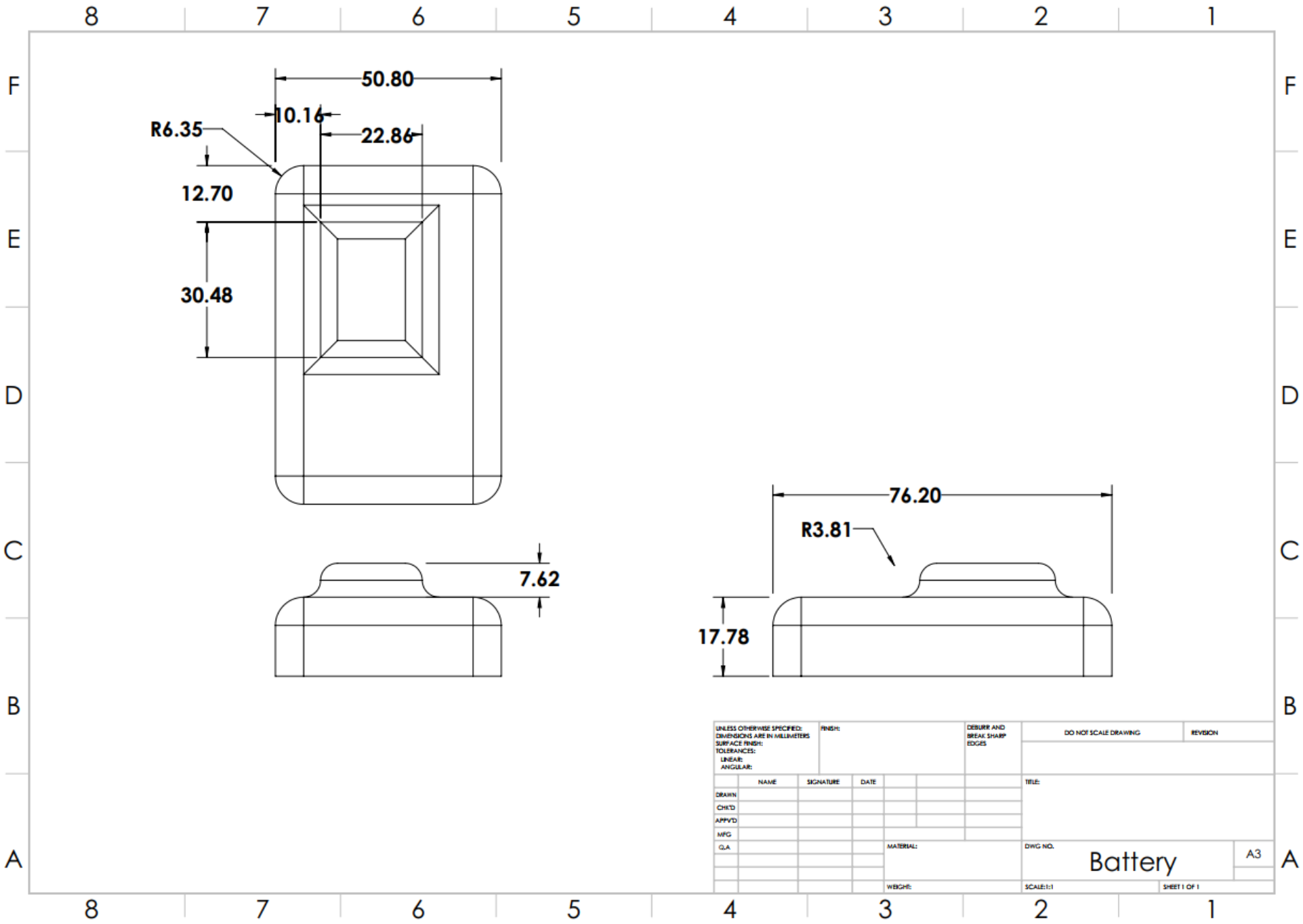


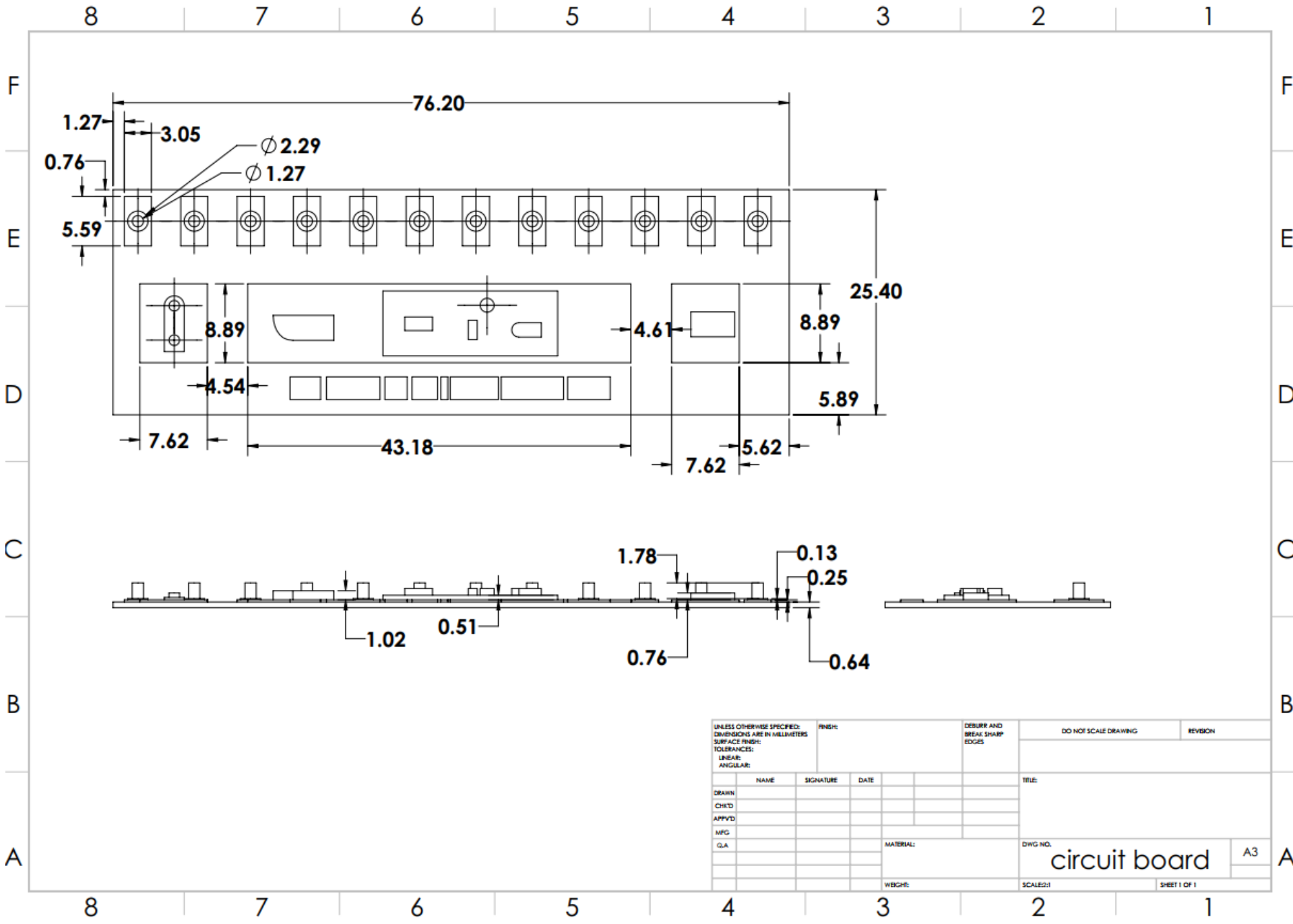
UNLESS OTHERWISE SPECIFIED: DIMENSIONS ARE IN MILLIMETERS SURFACE FINISH: TOLERANCES: LINEAR: ANGULAR:				FINISH:		DEBURR AND BREAK SHARP EDGES		DO NOT SCALE DRAWING		REVISION	
DRAWN				NAME		SIGNATURE		DATE		TITLE:	
CH'D											
APP'VD											
MFG											
Q.A.								MATERIAL:		DWG NO.	
										aluminium sheet covering	
								WEIGHT:		SCALE: 1:1	
										SHEET 1 OF 1	



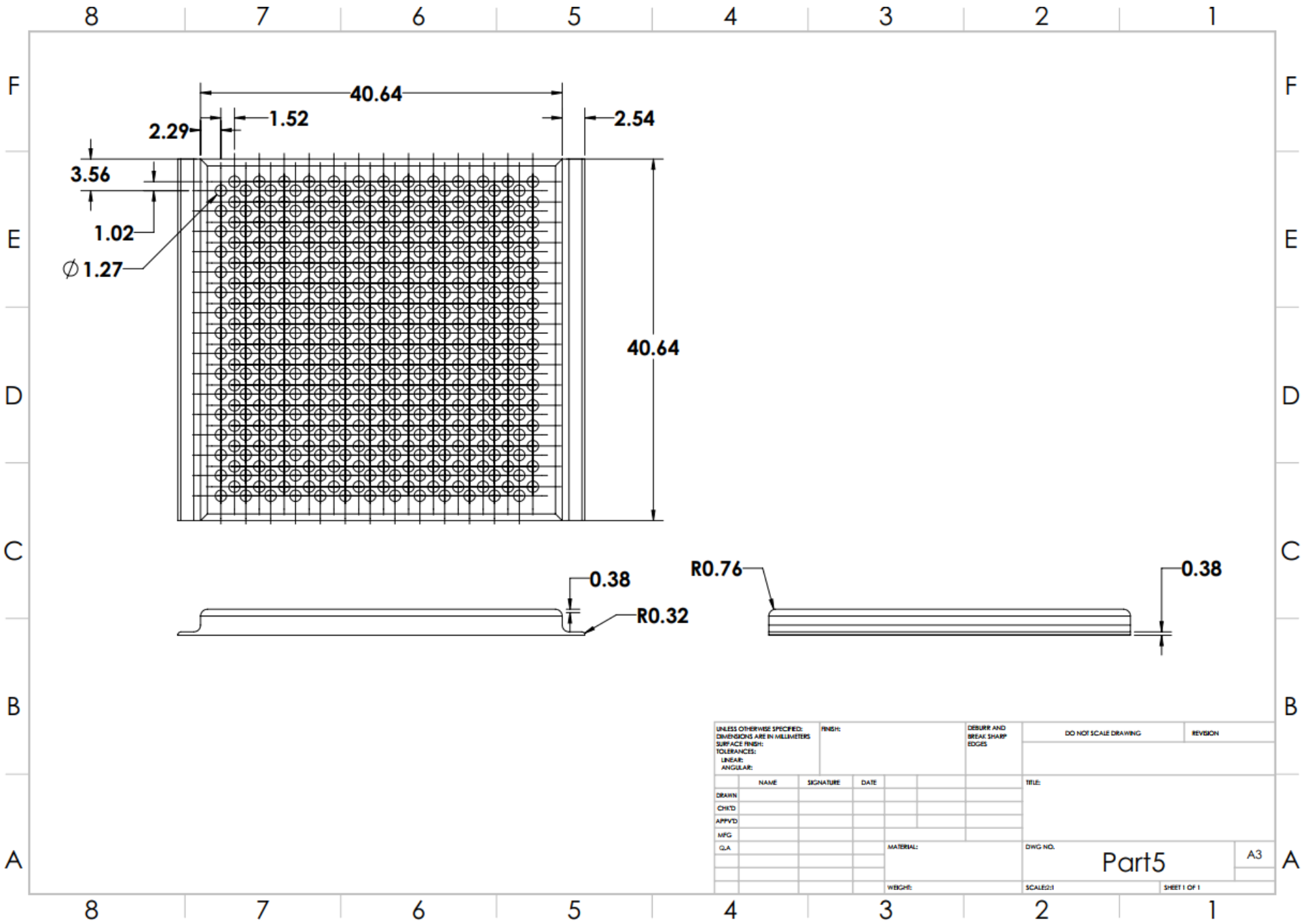
UNLESS OTHERWISE SPECIFIED: DIMENSIONS ARE IN MILLIMETERS				FINISH:		DEBURK AND BREAK SHARP EDGES		DO NOT SCALE DRAWING		REVISION	
SURFACE FINISH:				LINEAR:		ANGULAR:		TITLE:			
DRAWN	NAME	SIGNATURE	DATE					aluminium sheet partition			
CHK'D											
APP'VD											
MFG											
Q.A											
				MATERIAL:		DWG. NO.		SHEET 1 OF 1			
				WEIGHT:		SCALE:1:1					



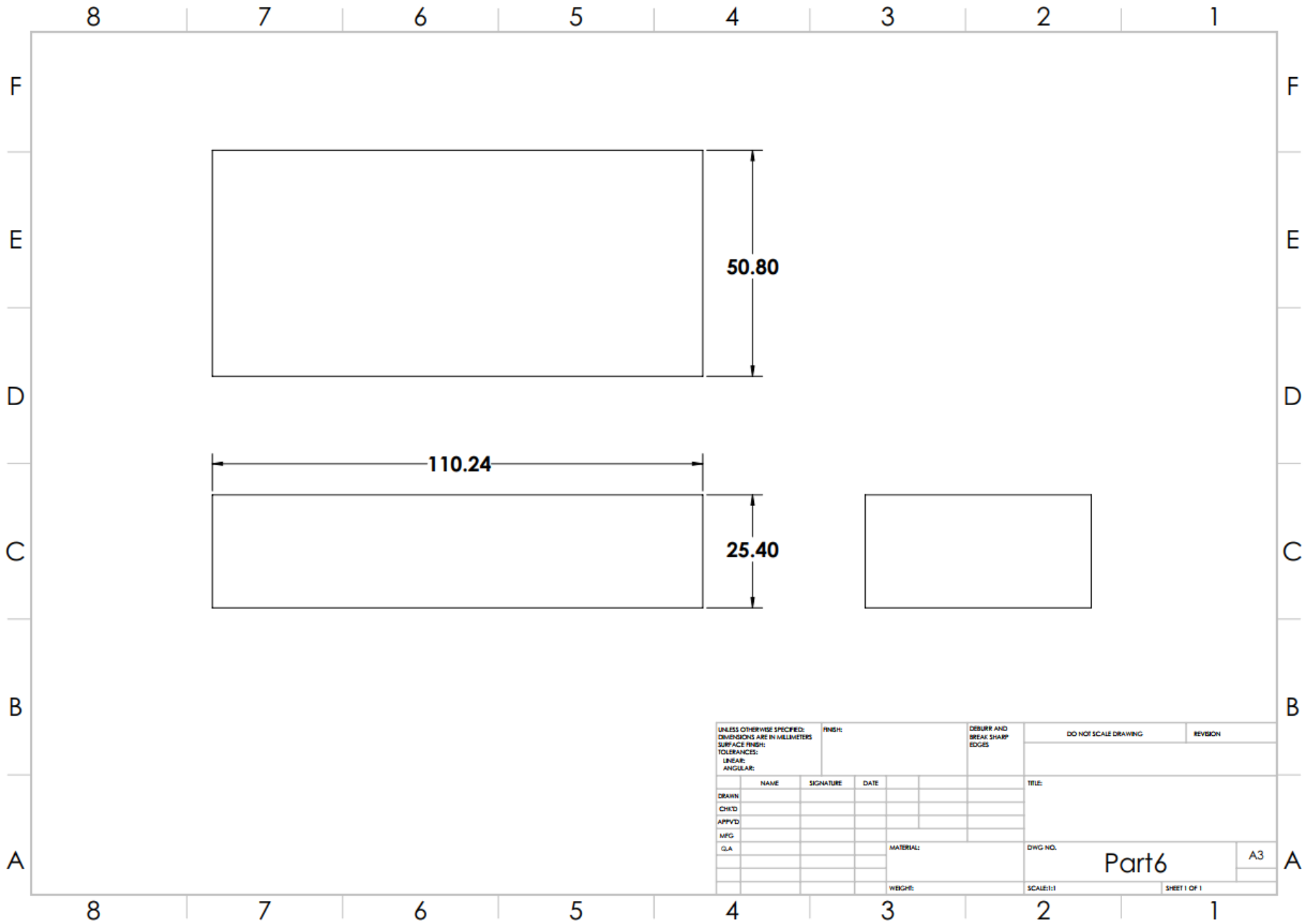
UNLESS OTHERWISE SPECIFIED: DIMENSIONS ARE IN MILLIMETERS				FINISH:		DEBURR AND BREAK SHARP EDGES		DO NOT SCALE DRAWING		REVISION	
SURFACE FINISH:											
TOLERANCES:											
LINEAR:											
ANGULAR:											
DRAWN		NAME		SIGNATURE		DATE		TITLE:			
CHKD											
APPVD											
MFG											
QA											
						MATERIAL:		DWG NO.		A3	
								Battery			
						WEIGHT:		SCALE: 1:1		SHEET 1 OF 1	



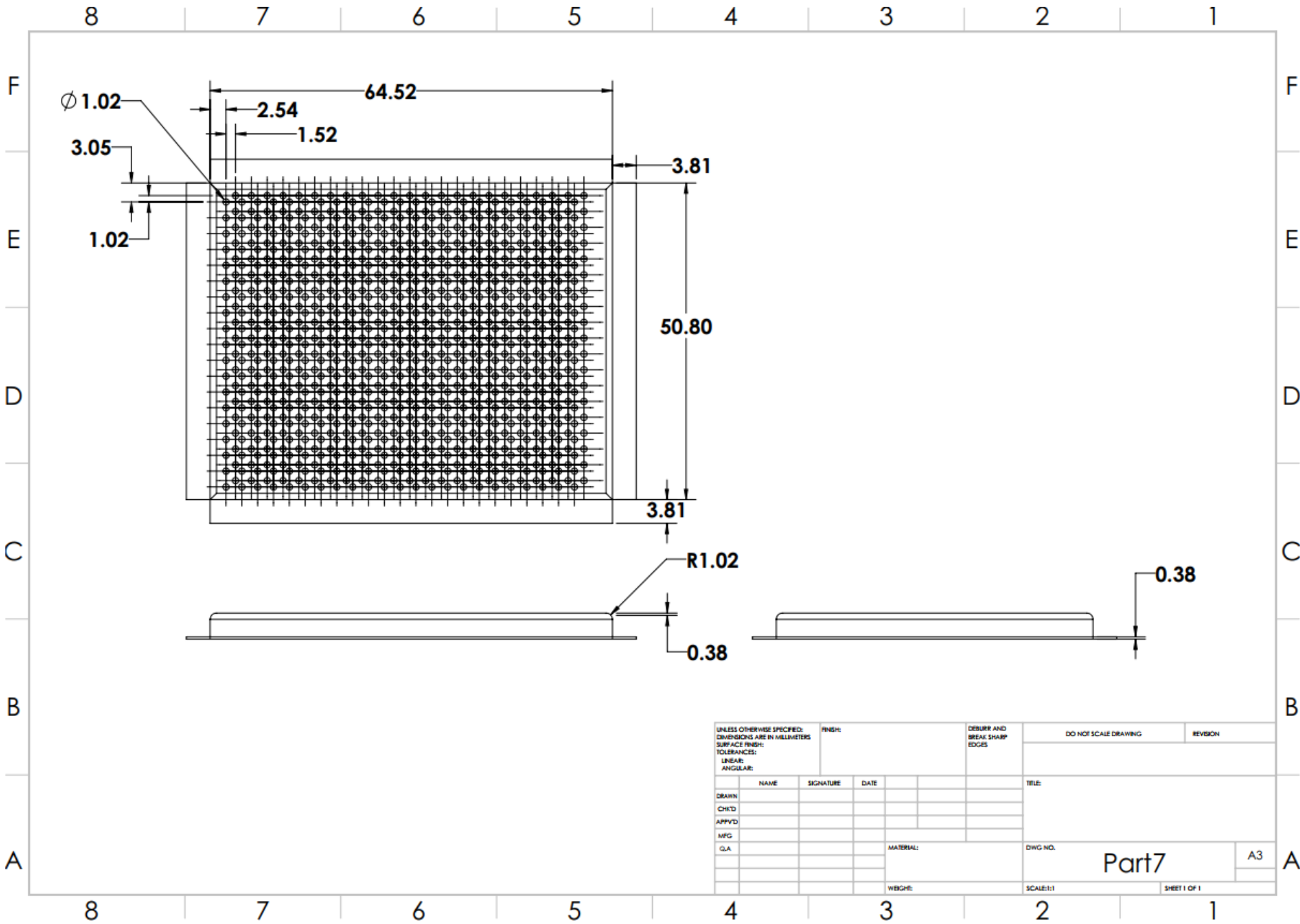
UNLESS OTHERWISE SPECIFIED: DIMENSIONS ARE IN MILLIMETERS				FINISH:		DEBURR AND BREAK SHARP EDGES		DO NOT SCALE DRAWING		REVISION	
SURFACE FINISH:											
TOLERANCES:											
LINEAR:											
ANGULAR:											
DRAWN		NAME		SIGNATURE		DATE		TITLE:			
CHK'D											
APP'VD											
MFG											
Q.A.								MATERIAL:		DWG. NO.	
										circuit board	
										A3	
								WEIGHT:		SHEET 1 OF 1	



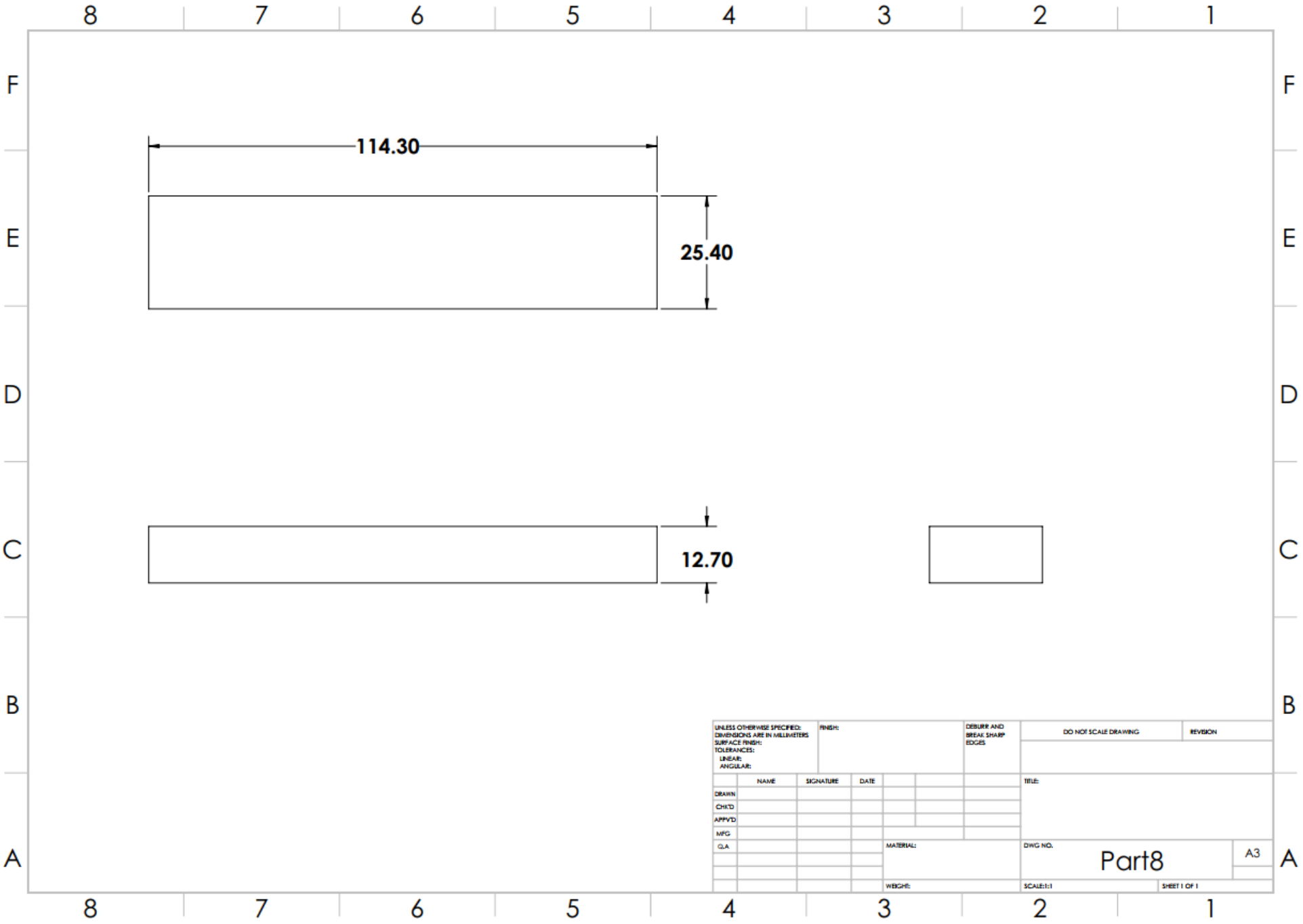
UNLESS OTHERWISE SPECIFIED: DIMENSIONS ARE IN MILLIMETERS SURFACE FINISH: TOLERANCES: LINEAR: ANGULAR:				FINISH:	DEBURR AND BREAK SHARP EDGES	DO NOT SCALE DRAWING	REVISION
DRAWN	NAME	SIGNATURE	DATE			TITLE:	
CHKD						Part5	
APPVD						DWG NO.	A3
MFG					MATERIAL:	SCALE:1:	SHEET 1 OF 1
Q.A.					WEIGHT:		



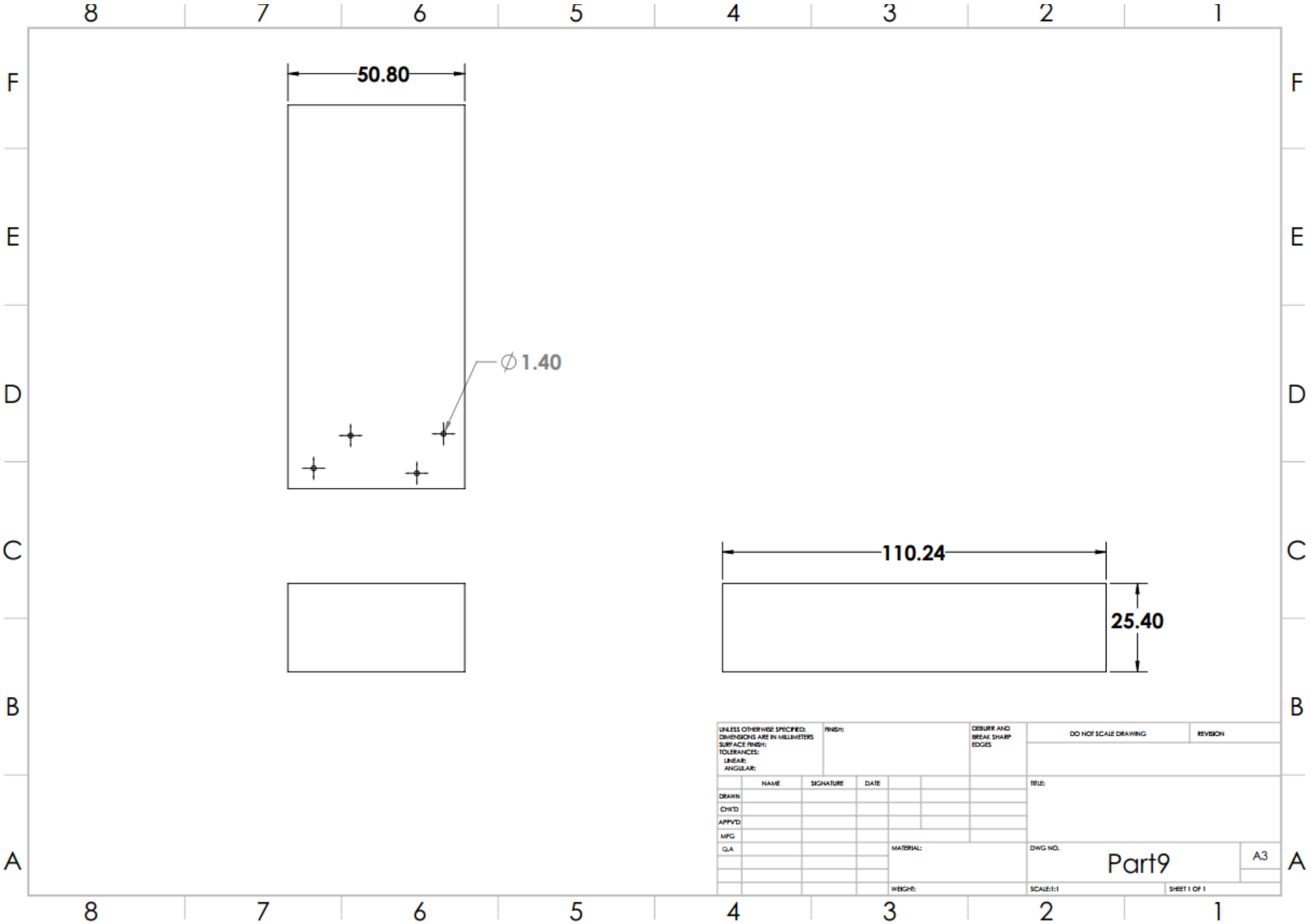
UNLESS OTHERWISE SPECIFIED: DIMENSIONS ARE IN MILLIMETERS				FINISH:		DESURE AND BREAK SHARP EDGES		DO NOT SCALE DRAWING		REVISION	
SURFACE FINISH:											
TOLERANCES:											
LINEAR:											
ANGULAR:											
			NAME	SIGNATURE	DATE			TITLE:			
DRAWN											
CHE'D											
APP'VD											
MFG											
Q.A						MATERIAL:		DWG. NO.		Part 6	
								SCALE: 1:1		A3	
						WEIGHT:		SHEET 1 OF 1			



UNLESS OTHERWISE SPECIFIED: DIMENSIONS ARE IN MILLIMETERS		FINISH:		DEBURR AND BREAK SHARP EDGES		DO NOT SCALE DRAWING		REVISION	
SURFACE FINISH:									
TOLERANCES:									
LINEAR:									
ANGULAR:									
DRAWN		NAME	SIGNATURE	DATE			TITLE:		
CH'KD									
APP'VD									
MFG									
CLA					MATERIAL:		DWG NO.		A3
					WEIGHT:		SCALE:1:1		SHEET 1 OF 1
							Part7		

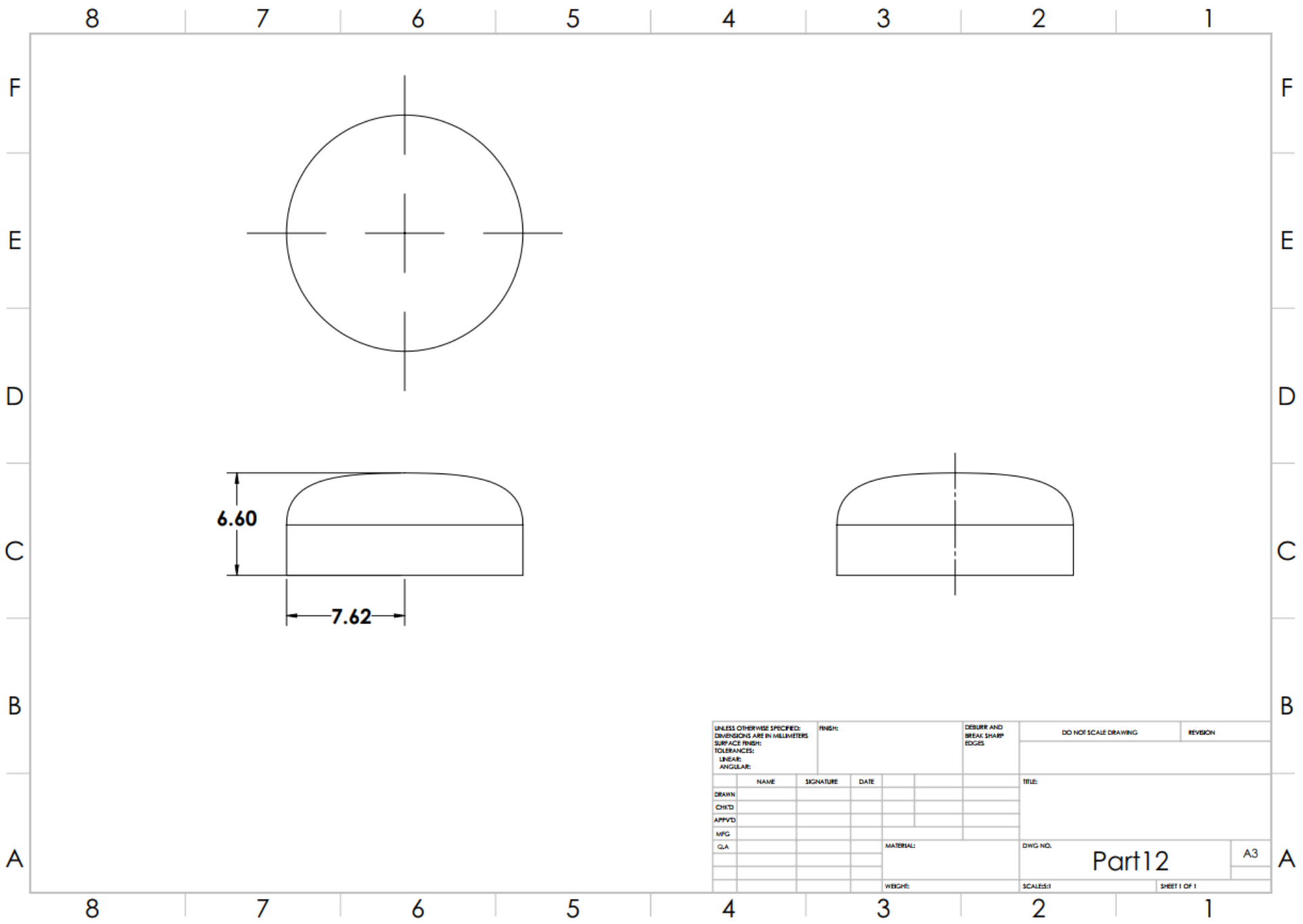


UNLESS OTHERWISE SPECIFIED: DIMENSIONS ARE IN MILLIMETERS SURFACE FINISH: TOLERANCES: LINEAR: ANGULAR:	FINISH:		DEBURR AND BREAK SHARP EDGES		DO NOT SCALE DRAWING	REVISION
	NAME	SIGNATURE	DATE		TITLE:	
DRAWN						
CH'D						
APP'VD						
MFG						
Q.A.				MATERIAL:	DWG NO.	Part8
				WEIGHT:	SCALE:1:1	A3
						SHEET 1 OF 1

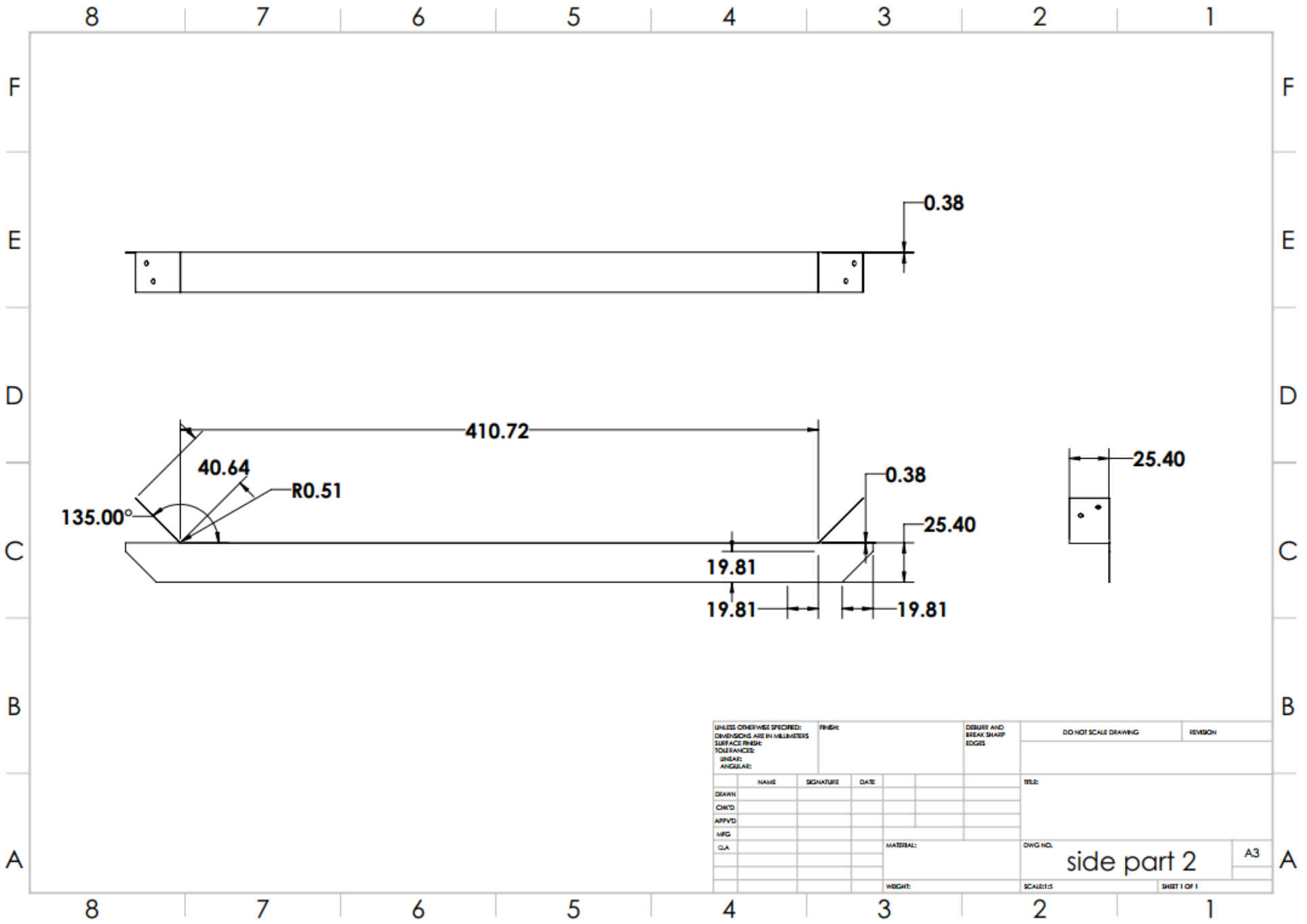


UNLESS OTHERWISE SPECIFIED: DIMENSIONS ARE IN MILLIMETERS		FINISH:		DEBURR AND BREAK SHARP EDGES		DO NOT SCALE DRAWING		REVISION	
SURFACE FINISH:									
TOLERANCES:									
LINEAR:									
ANGULAR:									
	NAME	SIGNATURE	DATE			TITLE:			
DRAWN									
CHEK'D									
APP'VD									
MFG									
Q.A						MATERIAL:		DWG NO.	
								Part9	
						WEIGHT:		SCALE:1:1	
								SHEET 1 OF 1	

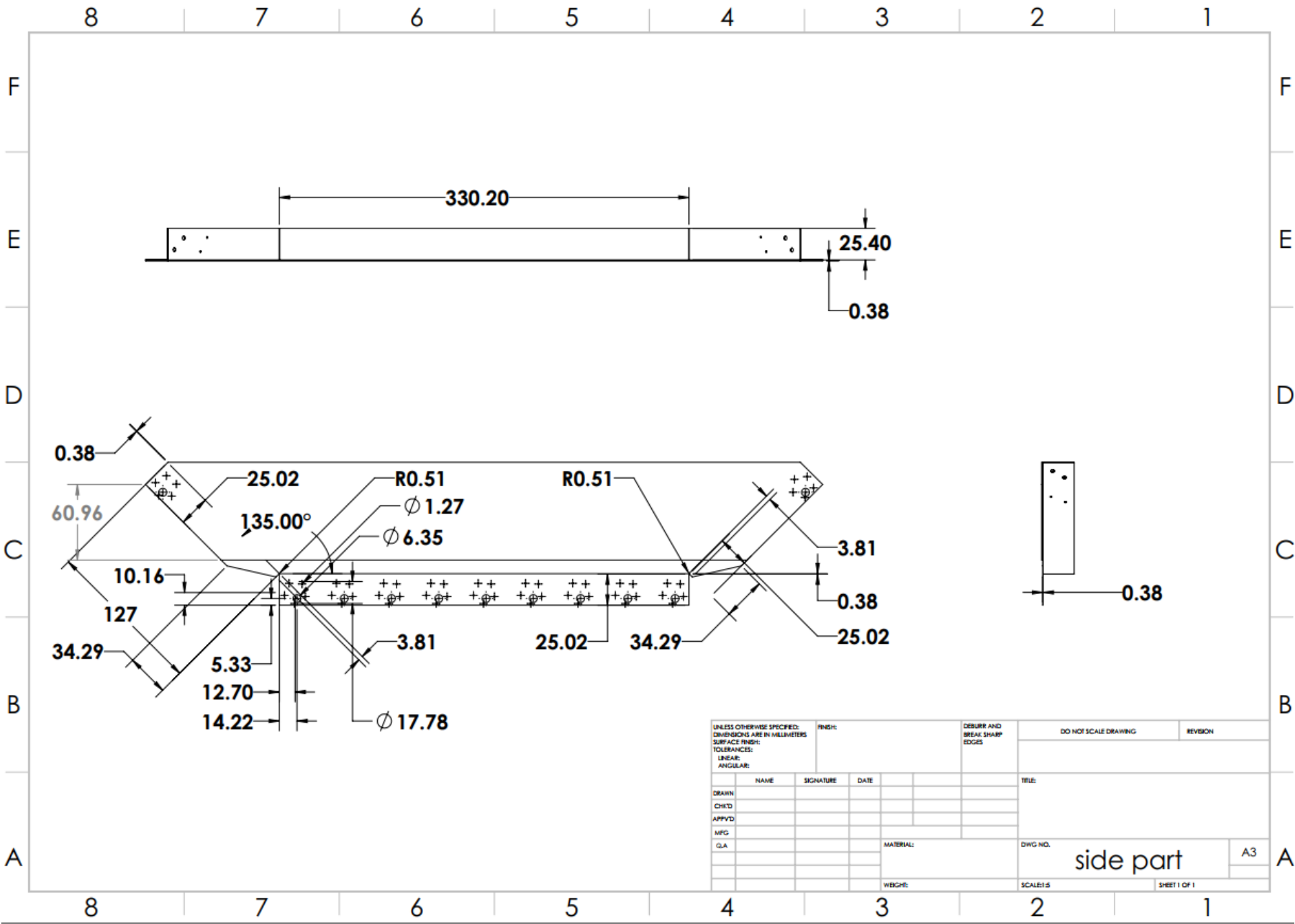
A3



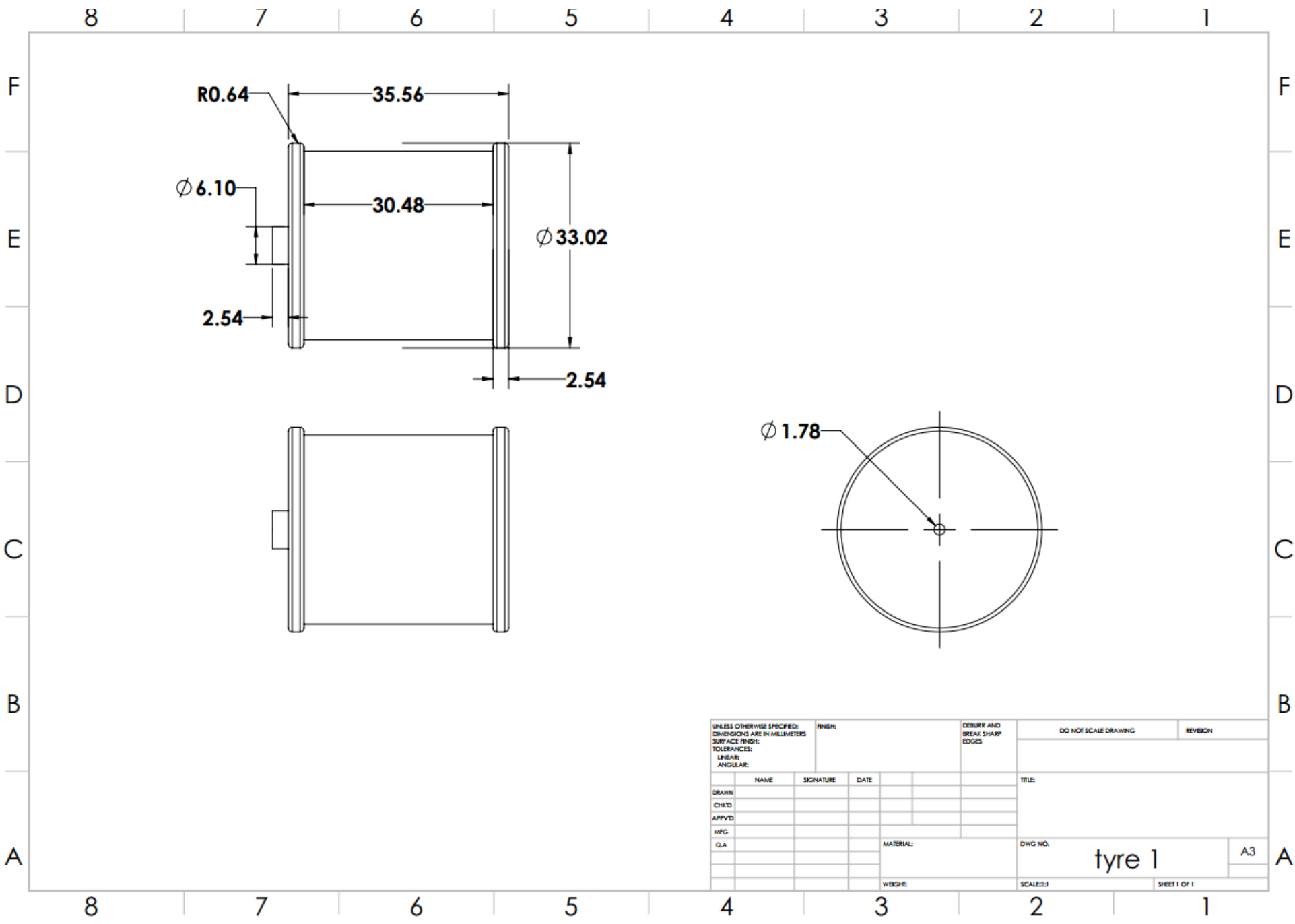
UNLESS OTHERWISE SPECIFIED: DIMENSIONS ARE IN MILLIMETERS SURFACE FINISH: TOLERANCES: LINEAR: ANGULAR:		FINISH:	DEBURR AND BREAK SHARP EDGES		DO NOT SCALE DRAWING	REVISION
DRAWN	NAME	SIGNATURE	DATE		TITLE:	
CHEK'D						
APP'VD						
MFG						
Q.A.				MATERIAL:	DWG NO.	
					Part12	A3
				WEIGHT:	SCALES:1	SHEET 1 OF 1



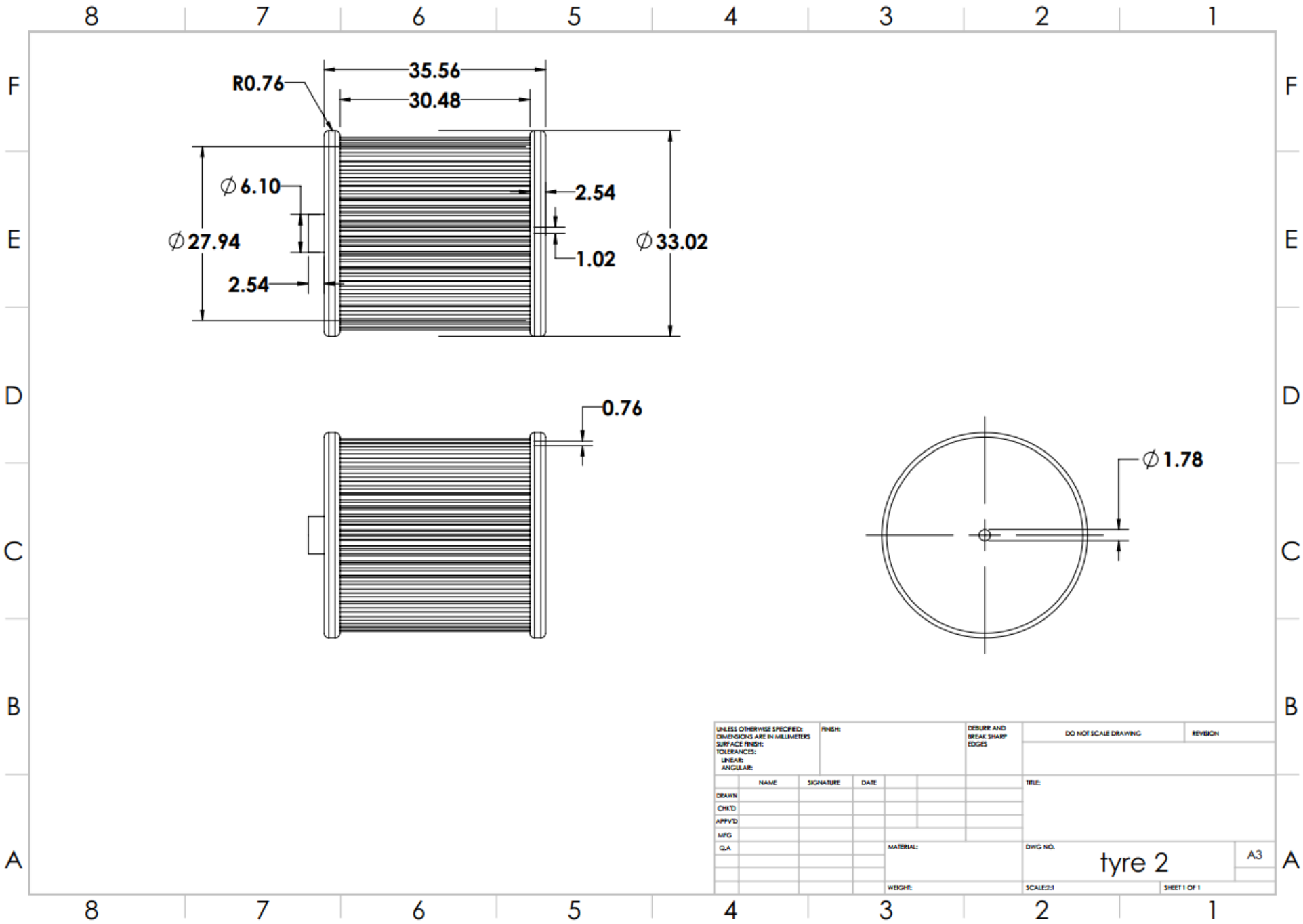
UNLESS OTHERWISE SPECIFIED: DIMENSIONS ARE IN MILLIMETERS SURFACE FINISH: TOLERANCES: LINEAR: ANGULAR:				FINISH:	DEBURR AND BREAK SHARP EDGES:	DO NOT SCALE DRAWING	REVISION
NAME	SIGNATURE	DATE				TITLE:	
DRAWN							
CHK'D							
APP'VD							
MFG							
C/A						DWG NO.	
						side part 2	A3
					MATERIAL:	SCALE:1:1	
					WEIGHT:		SHEET 1 OF 1



UNLESS OTHERWISE SPECIFIED: DIMENSIONS ARE IN MILLIMETERS			FINISH:	DEBURR AND BREAK SHARP EDGES	DO NOT SCALE DRAWING	REVISION
SURFACE FINISH:						
TOLERANCES:						
LINEAR:						
ANGULAR:						
DRAWN	NAME	SIGNATURE	DATE		TITLE	
CHK'D					side part	
APP'VD						
MFG						
Q.A.						
				MATERIAL:	DWG. NO.	A3
				WEIGHT:	SCALE: 1:1	SHEET 1 OF 1



UNLESS OTHERWISE SPECIFIED: DIMENSIONS ARE IN MILLIMETERS				FINISH:		DEBURR AND BREAK SHARP EDGES		DO NOT SCALE DRAWING		REVISION	
SURFACE FINISH:											
TOLERANCES:											
LINEAR:											
ANGULAR:											
	NAME	SIGNATURE	DATE			TITLE:					
DRWN											
CHK'D											
APP'VD											
MFG											
Q.A.											
					MATERIAL:	DWG NO.		tyre 1		A3	
					WEIGHT:	SCALE:		SHEET 1 OF 1			



UNLESS OTHERWISE SPECIFIED: DIMENSIONS ARE IN MILLIMETERS				FINISH:		DEBURR AND BREAK SHARP EDGES		DO NOT SCALE DRAWING		REVISION	
TOLERANCES: LINEAR: ANGULAR:											
DRAWN		NAME		SIGNATURE		DATE				TITLE:	
CHKD											
APPVD											
MFG											
QA								MATERIAL:		DWG. NO.	
										tyre 2	
								WEIGHT:		A3	
								SCALE: 1:1		SHEET 1 OF 1	